

VEVOR[®]

TOUGH TOOLS, HALF PRICE

Support and E-Warranty Certificate

<https://www.vevor.com/support>

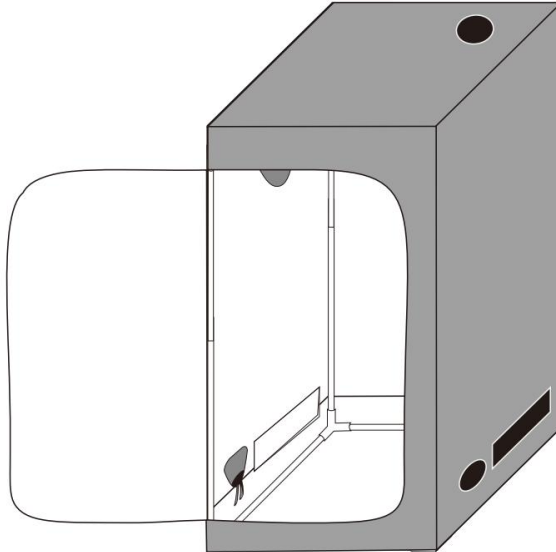
GROW TENT USER MANUAL

We continue to be committed to offering tools at competitive prices. "Save Half", "Half Price", or any other similar expressions used by us only represent an estimate of savings you might benefit from buying certain tools with us compared to the major top brands and do not necessarily mean to cover all categories of tools offered by us. You are kindly reminded to verify carefully when placing an order with us if you are saving half in comparison with the top major brands.

VEVOR®

GROW TENT

MODEL:GEE120-200/2000D
GEE150-200/2000D



NEED HELP? CONTACT US!

Have product questions? Need technical support? Please feel free to contact us:

✉ CustomerService@vevor.com

This is the original instruction, please read all manual instructions carefully before operating. VEVOR reserves a clear interpretation of our user manual. The appearance of the product shall be subject to the product you received. Please forgive us that we won't inform you again if there are any technology or software updates on our product.



NOTICE Please retain instructions for future needs.

- This product is for indoor use only.
- Do not use or store this item in the proximity of open flame or flammable/combustible chemicals.
- Do not soak the product in water.
- If water drops on the surface of the product, just dry it off.
- It is more convenient for two people to install it together.

• SPECIFICATIONS

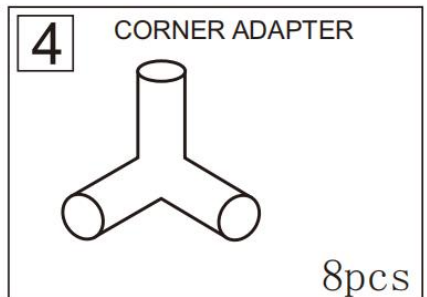
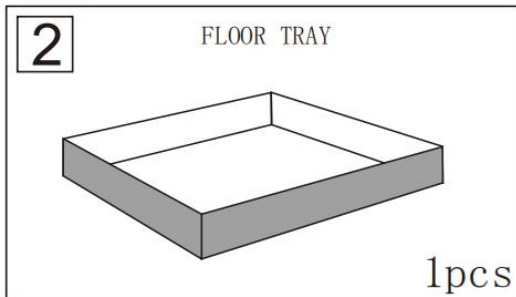
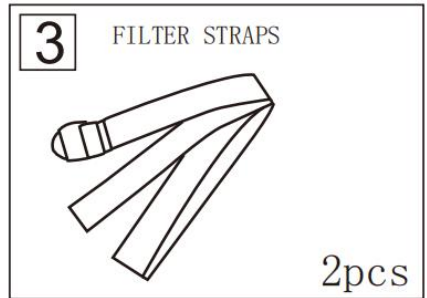
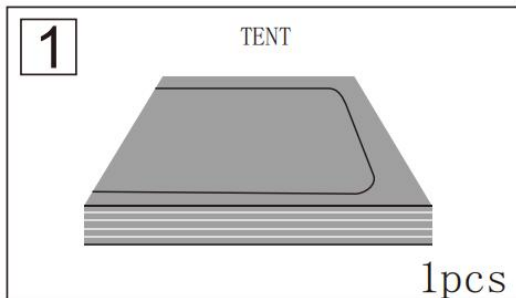
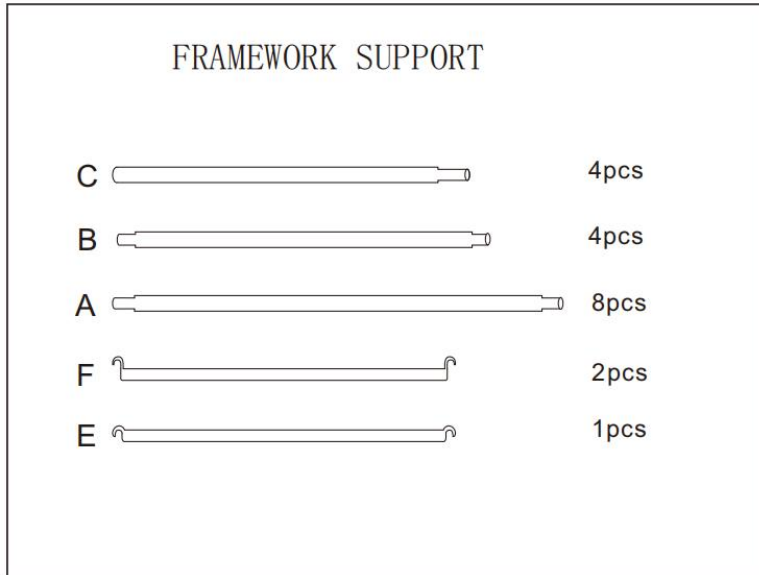
Model	GEE120-200/2000D
Product Size	48*48*80in
Load Capacity	150LB
Net Weight	15.4Kg
Gross Weight	17.4Kg
Color	Black/Gray Edge

Model	GEE150-200/2000D
Product Size	60*60*80in
Load Capacity	150LB
Net Weight	18.5Kg
Gross Weight	20.8Kg
Color	Black/Gray Edge

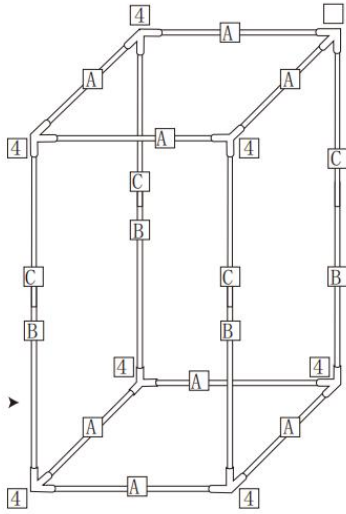
· GROW TENT ASSEMBLY INSTRUCTION

1. FOR TENT SIZE: 48×48×80in 60×60×80in

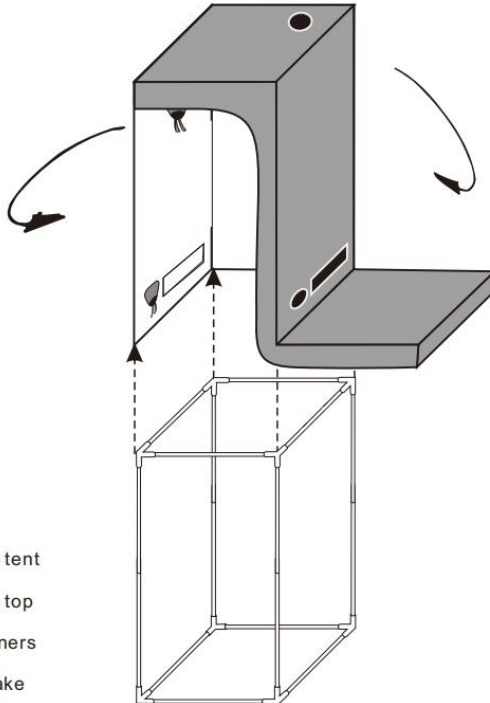
2. COMPONENTS



STEP 1

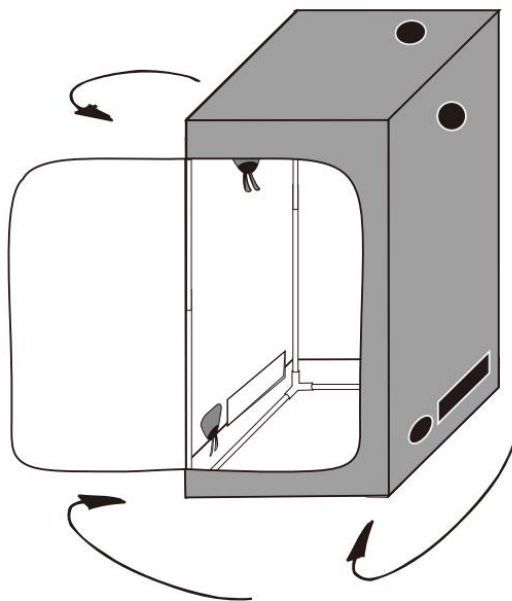


STEP 2



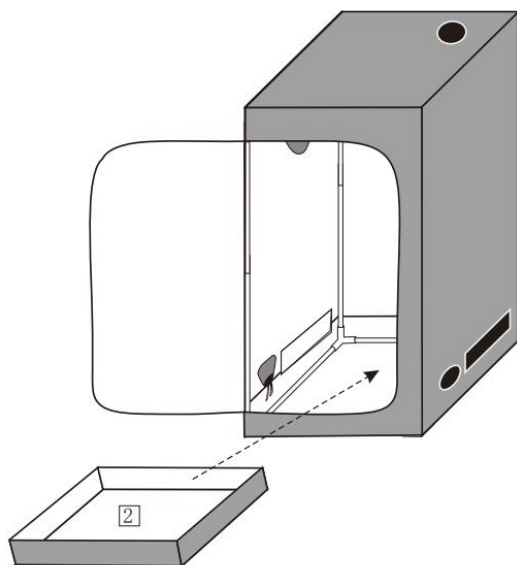
Unzip all zippers of the tent to cover all the way. First, gently pull up the top of the tent shell on the frame to ensure all corners are squarely in place. Having a helper will make this process easier.

STEP 3



Then pull the bottom of the tent shell to cover the base of the tent frame properly. Put all hanging bars on the top of the frame.

STEP 4



Manufacture: Dongguan Great Environmental Equipment Co., Ltd
Address: Room 201, No.168 Tangwei Road, Chashan Town, Dongguan City,
Guangdong Privince

Made in China

VEVOR[®]

TOUGH TOOLS, HALF PRICE

Support and E-Warranty Certificate

<https://www.vevor.com/support>